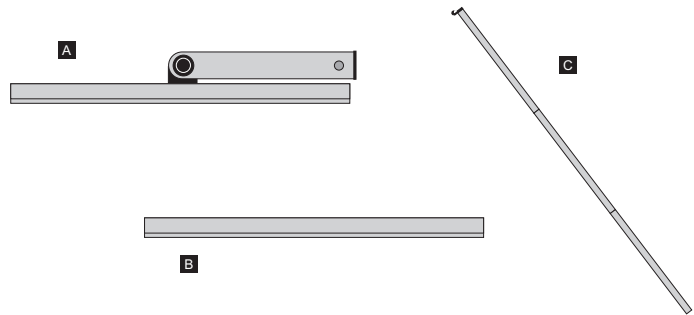


# L-FRAME

The INDUSTRYimages L-Frame comes in two sizes. The small size is designed to hold banners that are 23.5" wide by 64" tall. The Large size is designed for banners 31.5" wide by 72" tall. Other than the difference in size, both L-Frames have identical components and both are assembled in the same fashion, as described below.

## Your L-Frame package contains the following:

- (A) One bottom banner clamp with attached swivel base.
- (B) One top banner clamp.
- (C) One three piece collapsible pole.



## Putting your L-Frame together is a simple 5 step process.

### STEP ONE

Loosen the dial on the swivel base, which is attached to the bottom clamp (A), allowing the base to swing perpendicular to the clamp. Then tighten the dial to secure the base in its perpendicular position.

SEE FIGURE 1

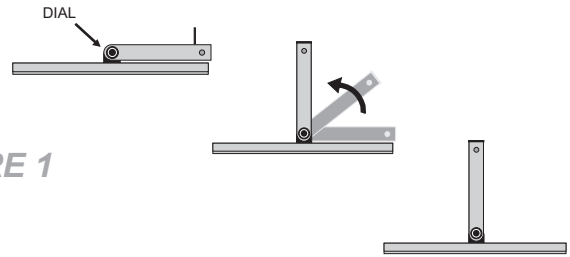


FIGURE 1

### STEP TWO

Open the bottom clamp (A) and by positioning your fingers along the lip on the bottom of the clamp and pull toward you and up. The front portion of the clamp should separate and swing open with little force. Insert the bottom edge of the banner.

SEE FIGURE 2

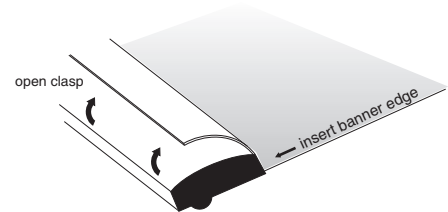


FIGURE 2

### STEP THREE

Secure the clamp to the banner. The banner should slide into the opening of the clamp about 1/2". Be sure that the banner is inserted as far as it will go at both ends and then apply pressure to both sides of the clamp to close it on the banner.

SEE FIGURE 3

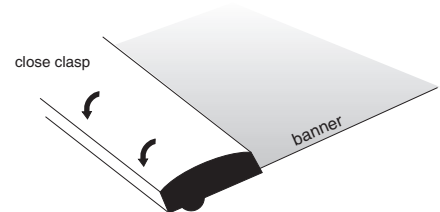


FIGURE 3

### STEP FOUR

Repeat steps 2 and 3 with the top of the banner using the top clamp (B).

### STEP FIVE

Assemble the 3 sections of the pole (C) and slide the bottom end onto the peg at the end of the base. With the base on the floor grab the top of the banner by the clamp and fit the plastic piece on top of the pole into the groove on the back of the top clamp. It is necessary to bend the pole **slightly** for it to fit; the tension this creates keeps the banner taut.

SEE FIGURE 4

FIGURE 4

